

## IN THIS SECTION...

## SUSPENSION EQUIPMENT

Air spring conversion kit - Britpart	104
Air spring conversion kits - Atlantic British	104
Air springs - Britpart	103
Anti-roll bar	102
Dislocation cone	102
Polyurethane bush sets - Britpart	106
Radius arms	103
Shock absorbers - Bilstein	105
Shock absorbers - Britpart Cellular Dynamic	97
Shock absorbers - Britpart Super Gaz	98
Shock absorbers - Delphi De Carbon	105

Shock absorbers - heavy-duty	104
Spring retainers	103
Springs - coil	99
Springs - parabolic	105
Steering arms - heavy-duty	102
Suspension kits - Britpart	100
Suspension parts matrix - Britpart	101

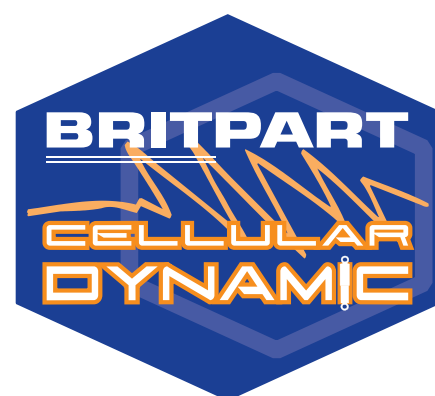


## SHOCK ABSORBERS - BRITPART CELLULAR DYNAMIC

The Britpart Cellular Dynamic Shock Absorber represents a significant advance in Land Rover suspension systems. It features a cellular foam insert instead of a normal nitrogen gas or air; this is to stop the oil from boiling. The foam takes up less room which means more room for oil, 50% more, which offers maximum heat dispersion. This heat dispersion translates to a very subtle but controlled ride that will not fade no matter how hard you push them. They are ideal for a driver who needs more control to complement performance improvements or to enhance a standard vehicle. The unique design ensures ride comfort and cornering ability is maximised and of course they are superb off-road.

- > Cellular technology tube
- > Reinforced welded mounts
- > Single piece eye ring
- > Sintered 18mm rod
- > Polyurethane bush
- > Heavy-duty powder coating

<b>DC6000</b>	Range Rover Classic/Discovery 1/Defender	Front
<b>DC6000L</b>	Range Rover Classic/Discovery 1/Defender 50mm Lift	Front
<b>DC6001</b>	Range Rover Classic/Discovery 1/Defender	Rear
<b>DC6001L</b>	Range Rover Classic/Discovery 1/Defender 50mm Lift	Rear
<b>DC6002</b>	Range Rover P38 - air suspension	Front
<b>DC6003</b>	Range Rover P38 - air suspension	Rear
<b>DC6010</b>	Discovery 2	Front
<b>DC6011</b>	Discovery 2	Rear
<b>DC6004</b>	Defender	Steering damper
<b>DC6005</b>	Range Rover Classic/Discovery 1/Series	Steering damper
<b>DC6009</b>	Discovery 2	Steering damper



A highly advanced foam design shock absorber!

\*terms and conditions apply



Part of the fleet of Britpart vehicles - delivering to our customers across the UK and Ireland on a daily basis!

BE PART OF IT!

## SHOCK ABSORBERS - BRITPART SUPER GAZ



Britpart Super Gaz Shock Absorbers offer a 35mm bore tube filled with Fuchs shock absorber fluid, using the best seal available, single piece eye rings, polyurethane bush mounts and a very durable powder coated finish. These offer a vast improvement in ride quality and damping performance. They are ideal for use with either of the Britpart Yellow Spring range or standard Land Rover Springs. Please ask for a CD of the shock absorbers in use or see the suspension section on the Britpart website!

Vast improvement in ride quality & damping performance

<b>DC5000</b>	Discovery 2		Front
<b>DC5001</b>	Discovery 2		Rear
<b>DC5002</b>	Defender/Range Rover Classic/Discovery 1		Front
<b>DC5002L</b>	Defender/Range Rover Classic/Discovery 1	50mm Lift	Front
<b>DC5003</b>	Defender/Range Rover Classic/Discovery 1		Rear
<b>DC5003L</b>	Defender/Range Rover Classic/Discovery 1	50mm Lift	Rear
<b>DC5004</b>	Defender		Steering damper
<b>DC5005</b>	Range Rover Classic/Discovery 1/Series		Steering damper



**24 month /  
50,000 mile  
warranty\***

\*terms and conditions apply

Explore the world with Britpart...



## SPRINGS - COIL

### Britpart Performance

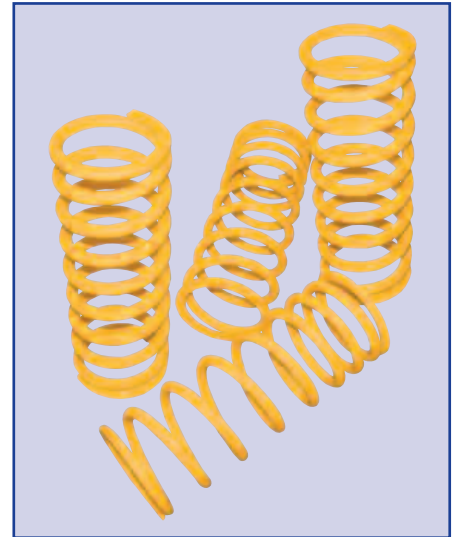
Our yellow performance springs are high quality, versatile and competitively priced - the right choice when replacing the old sagging original springs.

Developed by one of the world's top spring manufacturers these high quality, powder coated springs have been designed with the needs of today's Land Rover owners in mind.

As Land Rovers are often working vehicles as well as the family car, uprated springs must offer the ability to carry loads, handle off-road terrain and provide a good ride on road. The progressive front springs offer a compliant ride when lightly loaded, but firm up as the load increases.

**Note** - Spring quantity 1 = 1 pair

## The right choice when replacing the old sagging original springs!



PERFORMANCE SPRINGS

			Lift	Load	Bar Diameter	Rate LBF/IN	Free Height
<b>DA4201</b>	Range Rover Classic/Discovery/90/110	Front	25mm	25kg	16mm	200	400mm
<b>DA4202</b>	90/110/130/Range Rover Classic/Discovery	Front	40mm	50kg	16mm	230	390mm
<b>DA4203</b>	Range Rover Classic/Discovery/90 + Td5	Rear	40mm	Light	17mm	220	430mm
<b>DA4204</b>	Range Rover Classic/Discovery/Discovery 2/90	Rear	50mm	100kg	18mm	300-340	420mm
<b>DA4205</b>	Range Rover Classic/Discovery/90 + Td5	Rear	50mm	200kg	19mm	360	420mm
<b>DA4208</b>	110/130 Heavy-duty	Rear	50mm	500kg	21mm	420	435mm

### Britpart Yellow Springs

<b>DA4197</b>	Discovery 2	Heavy-duty	Rear	40mm Lift	Medium load
<b>DA4198</b>	Discovery 2	Heavy-duty	Front	40mm Lift	50 - 100kg load
<b>DA4199</b>	Discovery 2	Heavy-duty	Front	40mm Lift	20 - 50kg load

### Britpart Performance - Standard Height

Our yellow springs are designed for the enthusiast who wants a performance spring without having to raise the vehicle. They offer a firmer ride with less body roll, ideal for a vehicle with uprated performance or one used for carrying heavy loads.

The springs are designed to offer full articulation off road with a compliant ride. They also look stunning in the Britpart yellow powder coating.

**Note** - Spring quantity 1 = 1 pair

<b>DA4277</b>	90/110/Discovery to 1999/Range Rover Classic				
Front springs	Rating - 225lbs/in	Height - 376mm			
<b>DA4278</b>	90/Discovery 1/Range Rover Classic				
Rear springs	Rating - 285lbs/in	Height - 376mm			
<b>DA4279</b>	110				
Rear springs	Rating - 330lbs/in	Height - 407mm			



DA4277



Britpart Winching Equipment - see winch section!



BE PART OF IT!

## SUSPENSION KITS - BRITPART



**CELLULAR DYNAMIC - 40MM LIFT KIT**



**SUPER GAZ - STANDARD HEIGHT KIT**

Britpart can offer a complete or partial suspension package suitable for whatever you intend to use your Land Rover for.

**24 month / 50,000 mile Warranty on Super Gaz & Cellular Dynamic Shock Absorbers\***

\*Terms and conditions apply

### Super Gaz Suspension Kits

<b>DA4284</b>	Defender 90/Range Rover Classic/Discovery 1	Heavy-duty	Standard height
<b>DA4285</b>	Defender 110	Heavy-duty	Standard height
<b>DA4286</b>	Defender 90/Range Rover Classic/Discovery 1	Heavy-duty	40mm Lift
<b>DA4287</b>	Defender 110	Heavy-duty	40mm Lift
<b>DA4288</b>	Defender 90 - to 1994/Range Rover Classic to 1986 - narrow bush	Heavy-duty	40mm Lift
<b>DA4289</b>	Defender 90 - from 1994/Range Rover Classic from 1986/Discovery 1 - wide bush	Heavy-duty	40mm Lift
<b>DA4299</b>	Defender 110 - to 1994 - narrow bush	Heavy-duty	40mm Lift
<b>DA4300</b>	Defender 110 - from 1994 - wide bush	Heavy-duty	40mm Lift
<b>DA4301</b>	Range Rover Classic	Heavy-duty	25mm Lift



### Cellular Dynamic Suspension Kits

<b>DA4284C</b>	Defender 90/Range Rover Classic/Discovery 1	Heavy-duty	Standard height
<b>DA4285C</b>	Defender 110	Heavy-duty	Standard height
<b>DA4286C</b>	Defender 90/Range Rover Classic/Discovery 1	Heavy-duty	40mm Lift
<b>DA4287C</b>	Defender 110	Heavy-duty	40mm Lift
<b>DA4288C</b>	Defender 90 - to 1994/Range Rover Classic to 1986 - narrow bush	Heavy-duty	40mm Lift
<b>DA4289C</b>	Defender 90 - from 1994/Range Rover Classic from 1986/Discovery 1 - wide bush	Heavy-duty	40mm Lift
<b>DA4299C</b>	Defender 110 - to 1994 - narrow bush	Heavy-duty	40mm Lift
<b>DA4300C</b>	Defender 110 - from 1994 - wide bush	Heavy-duty	40mm Lift
<b>DA4301C</b>	Range Rover Classic	Heavy-duty	25mm Lift



# SUSPENSION PARTS MATRIX - BRITPART

	Super Gaz			Cellular Dynamic		
	Standard Height	25mm Lift*	40mm Lift*	Standard Height	25mm Lift*	40mm Lift*
<b>Defender - 90</b>						
Front spring	DA4277	DA4201	DA4202	DA4277	DA4201	DA4202
Rear spring	DA4278		DA4203	DA4278		DA4203
Front shock absorber	DC5002	DC5002L	DC5002L	DC6000	DC6000L	DC6000L
Rear shock absorber	DC5003	DC5003L	DC5003L	DC6001	DC6001L	DC6001L
Steering damper	DC5004	DC5004	DC5004	DC6004	DC6004	DC6004
Suspension kit	DA4284	DA4301	DA4286	DA4284C	DA4301C	DA4286C
Complete kit - narrow bush			DA4288			DA4288C
Complete kit - wide bush			DA4289			DA4289C
<b>Defender - 110</b>						
Front spring	DA4277	DA4201	DA4202	DA4277	DA4201	DA4202
Rear spring	DA4279		DA4208	DA4279		DA4208
Front shock absorber	DC5002	DC5002L	DC5002L	DC6000	DC6000L	DC6000L
Rear shock absorber	DC5003	DC5003L	DC5003L	DC6001	DC6001L	DC6001L
Steering damper	DC5004	DC5004	DC5004	DC6004	DC6004	DC6004
Suspension kit	DA4285		DA4287	DA4285C		DA4287C
Complete kit - narrow bush			DA4299			DA4299C
Complete kit - wide bush			DA4300			DA4300C
<b>Discovery 1</b>						
Front spring	DA4277	DA4201	DA4202	DA4277	DA4201	DA4202
Rear spring	DA4278		DA4203	DA4278		DA4203
Front shock absorber	DC5002	DC5002L	DC5002L	DC6000	DC6000L	DC6000L
Rear shock absorber	DC5003	DC5003L	DC5003L	DC6001	DC6001L	DC6001L
Steering damper	DC5005	DC5005	DC5005	DC6005	DC6005	DC6005
Suspension kit	DA4284	DA4301	DA4286	DA4284C	DA4301C	DA4286C
Complete kit			DA4289			DA4289C
<b>Discovery 2</b>						
Front spring - 50-100kg load			DA4198			DA4198
Front spring - 20-50kg load			DA4199			DA4199
Rear spring - medium load			DA4197			DA4197
Front shock absorber	DC5000			DC6010		
Rear shock absorber	DC5001			DC6011		
Steering damper				DC6009		
<b>Range Rover Classic</b>						
Front spring	DA4277	DA4201	DA4202	DA4277	DA4201	DA4202
Rear spring	DA4278		DA4203	DA4278		DA4203
Front shock absorber	DC5002	DC5002L	DC5002L	DC6000	DC6000L	DC6000L
Rear shock absorber	DC5003	DC5003L	DC5003L	DC6001	DC6001L	DC6001L
Steering damper	DC5005	DC5005	DC5005	DC6005	DC6005	DC6005
Suspension kit	DA4284	DA4301	DA4286	DA4284C	DA4301C	DA4286C
Complete kit - narrow bush			DA4288			DA4288C
Complete kit - wide bush			DA4289			DA4289C
<b>Range Rover P38 - air suspension</b>						
Front shock absorber				DC6002		
Rear shock absorber				DC6003		
<b>Series</b>						
Steering damper	DC5005	DC5005	DC5005	DC6005	DC6005	DC6005



BRITPART SUSPENSION KIT



BRITPART COMPLETE KIT



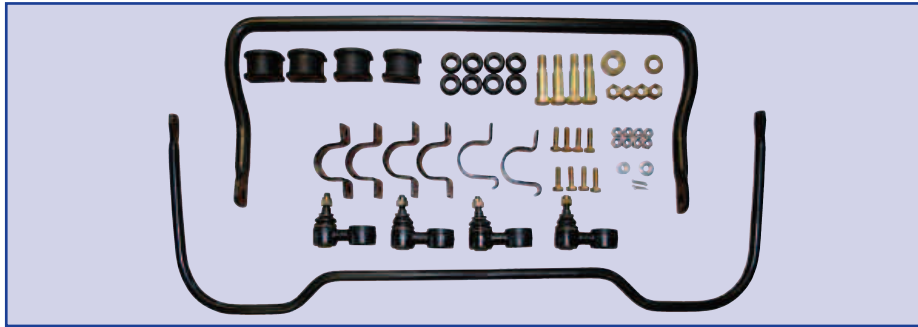
BRITPART SPRINGS

\*Approximate lift height - check specification before ordering



## We've got the suspension product for you

BE PART OF IT!

**ANTI-ROLL BAR KIT****STC8156AA****STC8156AA**

Discovery 1

Kit for stiffening up the rear on your Discovery 1. Complete with fitting instructions.

**DISLOCATION CONE****DA2186****DA2186**

90/Discovery 1 only  
Pair

This clever product ensures your springs relocate correctly when using your Land Rover in extreme conditions. Manufactured from stainless steel. Use in conjunction with spring retainers.

**STEERING ARMS - HEAVY-DUTY****DA5501****DA5501**

All Series vehicles  
4 track rod ends

**DA5502****DA5502**

All 90/110/Defender  
3 track rod ends

**DA5503****DA5503**

Range Rover Classic/Discovery 1  
3 track rod ends

**DA5504****DA5504**

Discovery 1  
4 track rod ends

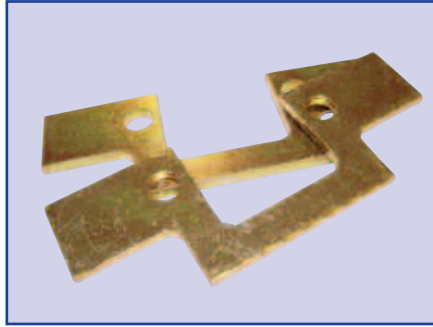
**HEAVY-DUTY STEERING ARM**

**Improves  
steering response**

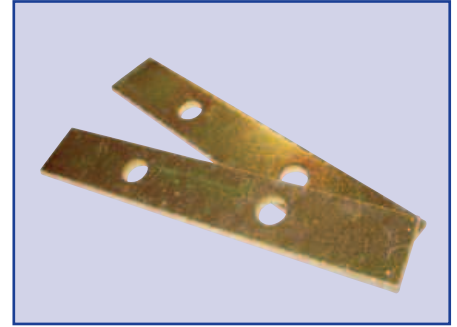
- > Solid heavy-duty arms which are suitable for off-road use
- > Improves steering response
- > Zinc plate finish to increase corrosion resistance

## SPRING RETAINERS

DA2362	Front
DA2363	Rear

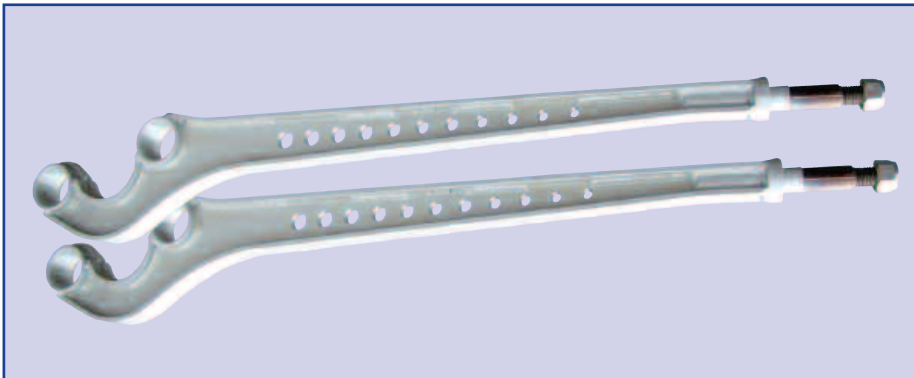


DA2362

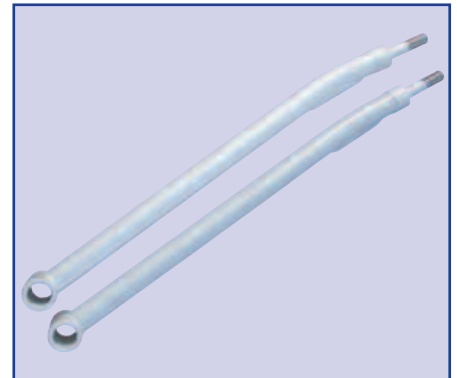


DA2363

## RADIUS ARMS



DA5505 &amp; DA5506



DA5510

- > Designed for vehicles with an extended 1 to 3" lift.
- > Front radius arms correct castor alignment which in turn ensure safe driving.
- > Rear radius arms provide full rear axle articulation.
- > Fitting the radius arms will contribute to a much better off-road capability for your vehicle by fully utilising your spring and shock absorber set.
- > Zinc passivated with a heavy-duty powder coating finish to complement each component.

### DA5505

3° Heavy-duty Narrow  
Use with NTC7307 bush

### DA5506

3° Heavy-duty Wide  
Use with NTC6781 bush

### DA5510

2" Lift rear radius arm

Help contribute to a much better off-road capability

## AIR SPRINGS - BRITPART



NTC9819 &amp; NTC9820



RKB101200



REB101740 &amp; RKB101460

NTC9819	Range Rover Classic	Front
NTC9820	Range Rover Classic	Rear
RKB101200	Discovery 2	Rear
REB101740	Range Rover P38	Front
RKB101460	Range Rover P38	Rear

### Saggy and soggy suspension?

Then replacing your current air springs could be the answer.

Air springs can be susceptible to air leaks due to the fact the rubber seals dry out. Why not firm up your suspension and replace them with this quality air springs from Britpart. **Note** - All sold individually.

## AIR SPRING CONVERSION KIT - BRITPART



DA5136

### DA5136

Discovery 2  
Air to coil conversion kit

It is a sad fact that sometimes the air suspension at the rear of a Discovery 2 will fail. You then have a choice to make. Do you replace it with a replacement air spring system which is comfortable but not comfortable on the wallet or replace with an equally comfortable but much more affordable coil suspension system. Well Britpart have the complete kit for air to coil suspension conversion making your decision that bit easier.

Kit -  
2 x Rear springs  
2 x Isolators  
2 x Spring seats  
4 x Bolts  
1 x Instructions

## AIR SPRING CONVERSION KITS - ATLANTIC BRITISH

### DA4136

Range Rover P38 1995 - 2002  
Including diesel models light duty

### DA4136HD

Range Rover P38 1995 - 2002  
Heavy-duty 1" lift - including diesel models

### DA4179

Range Rover Classic - no module

The EAS (Electronic Air Suspension) System found on Range Rover 4.0 and 4.6 vehicles can present expensive, recurring maintenance problems. If you've had an air spring failure before, you know this first hand.

Atlantic British now has a revolutionary coil spring conversion kit for Range Rover 4.0/4.6 that makes switching to coil springs seamless and error-free. Conversion to coil springs provides a better, maintenance-free ride that will save you significant money over time. This exclusive EAS Override Module suppresses all typical false dashboard display errors and buzzers seen when converting to coil springs.

Kit provides everything needed to complete  
a professional installation

Any mechanic or Range Rover owner can install this exclusive coil spring conversion kit without having to go to a Land Rover dealer or Autologic-equipped repair shop to eliminate false dash warning light errors.

The EAS Override Module and Coil Spring Conversion Kit is an Atlantic British exclusive! The exclusive kit features:

- > Detailed step-by-step instructions.
- > The Atlantic British exclusive EAS Override Module overrides all typical computer errors seen when converting to a coil spring system.
- > Eliminates the need for a costly shop visit.
- > Aluminium spring perch adapters, exclusive Atlantic British Ltd. design.
- > Britpart custom made coil springs provide standard ride height and maximum articulation.
- > Affordable alternative to expensive, recurring air suspension failures.
- > Trip computer compatibility - maintains operation of your vehicle's trip computer.
- > Kit provides everything needed to complete a professional installation.



DA4136

## SHOCK ABSORBERS - HEAVY-DUTY



DA4210

<b>DA4210</b>	Defender 90/110	Rear
<b>DA4211</b>	Defender 90/110	Front

Heavy-duty oil filled shock absorbers

## SHOCK ABSORBERS - BILSTEIN

## Shock Absorbers

<b>DA1005</b>	Range Rover Classic/Discovery/Defender	Front
<b>DA1006</b>	Range Rover Classic/Discovery to 1994/Defender	Rear
<b>DA1007</b>	Discovery - 1994 - 1999	Rear
<b>DA1008</b>	Discovery - 1999 on	Front
<b>DA1009</b>	Discovery - 1999 on	Rear
<b>DA1010</b>	Range Rover Classic - air suspension	Front
<b>DA1011</b>	Range Rover Classic - air suspension	Rear
<b>DA1012</b>	Range Rover P38 - air suspension	Front
<b>DA1013</b>	Range Rover P38 - air suspension	Rear
<b>DA1016</b>	Defender - 1998 on	Front
<b>DA1017</b>	Defender - 1998 on	Rear



DA1007

## Steering Dampers

<b>DA1014</b>	Defender
<b>DA1015</b>	Range Rover Classic/Discovery/Series
<b>DA1060</b>	Discovery Td5
<b>DA1061</b>	Range Rover P38

## SHOCK ABSORBERS - DELPHI DE CARBON

## Shock Absorbers

<b>DA4162</b>	Series LWB/SWB	Front
<b>DA4163</b>	Series SWB	Rear
<b>DA4164</b>	Series LWB	Rear
<b>DA4090</b>	Range Rover Classic/Defender to 1999/Discovery to 1994 including air suspension	Front
<b>DA4091</b>	Range Rover Classic/Defender to 1999/Discovery to 1994 including air suspension	Rear
<b>DA4092</b>	Discovery - 1994 - 1999	Rear
<b>DA4181</b>	Range Rover Classic/Defender to 1999/Discovery to 1994	Front +2"
<b>DA4182</b>	Range Rover Classic/Defender to 1999/Discovery to 1994	Rear +2"

**Note** - Boxed as a pair, priced individually

## Steering Dampers

<b>DA4160</b>	Series/Range Rover Classic/Discovery to 1998
<b>DA4161</b>	Defender



DA4163

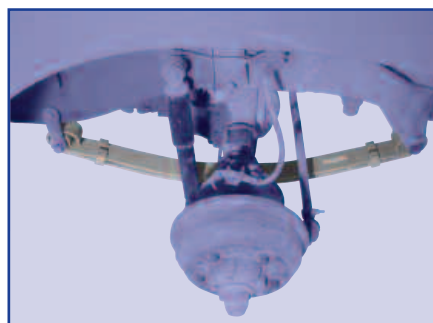


## SPRINGS - PARABOLIC

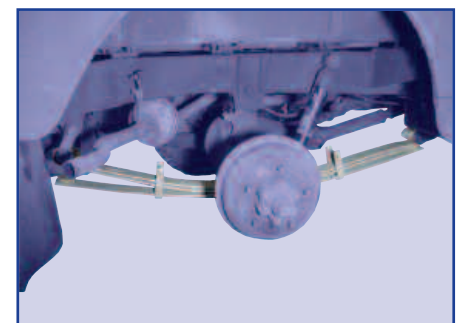
<b>DA2003</b>	4 Leaf LWB	Rear kit pair
<b>DA4106</b>	2 Leaf SWB/LWB	Front kit pair
<b>DA4107</b>	3 Leaf SWB	Rear kit pair

High quality replacement parabolic springs from Britpart. Designed to match the original Santana specification, giving a very comfortable and controlled ride.

**Note** - Includes 'U' bolts and nuts.



DA4106



DA4107

## POLYURETHANE BUSH SETS - BRITPART



**BRITPART YELLOW BUSH SET**



**BRITPART BLACK BUSH SET**

This brand new range of Britpart Yellow and Black polybushes are manufactured exclusively for Britpart using the latest Vulkollan™ polyurethane technology.

They are machined to exact tolerances once cast to produce the highest finish available.

Produced in both yellow and black they are both the same compound which gives similar ride characteristics to the standard rubber bushes, but they offer improved articulation, vibration damping and last longer.

The black bushes are ideal for replacing individual bushes as they can be fitted without a press.

Kit includes shock absorber and A-frame bushes.

### Britpart - Yellow


<b>DC7000</b>	Discovery 1
<b>DC7001</b>	Discovery 2
<b>DC7002</b>	Freelander
<b>DC7003</b>	Series 1, 2 & 3 - excluding 3 LWB (see DC7004)
<b>DC7004</b>	Series 3 LWB
<b>DC7005</b>	Range Rover up to 1986
<b>DC7006</b>	Range Rover 1986 - 1994
<b>DC7007</b>	Range Rover P38
<b>DC7008</b>	Defender 2002 - to date
<b>DC7009</b>	Defender up to 1993
<b>DC7010</b>	Defender 1994 - 2001

They offer improved articulation, vibration damping and last longer.

### Britpart - Black

<b>DC7100</b>	Discovery 1
<b>DC7101</b>	Discovery 2
<b>DC7102</b>	Freelander
<b>DC7103</b>	Series 1, 2 & 3 - excluding 3 LWB (see DC7104)
<b>DC7104</b>	Series 3 LWB
<b>DC7105</b>	Range Rover up to 1986
<b>DC7106</b>	Range Rover 1986 - 1994
<b>DC7107</b>	Range Rover P38
<b>DC7108</b>	Defender 2002 - to date
<b>DC7109</b>	Defender up to 1993
<b>DC7110</b>	Defender 1994 - 2001

### Britpart - Blue

<b>DA4035BLUE</b>	Defender 90/110/130 to 1993 with drum brakes
<b>DA4036BLUE</b> 	Range Rover - 1986 onwards/Discovery 1 & Defender 1994 onwards

Also available from Britpart are Polybush sets - full details available on request!



### Bush Fitting Tool - for ANR3332

Fitting new front radius arm bushes (part number ANR3332) for the Range Rover 38A is impossible to do without using the Land Rover special tool.

### LRT-60-004

Land Rover special tool



**LRT-60-004**



**DA4035BLUE**